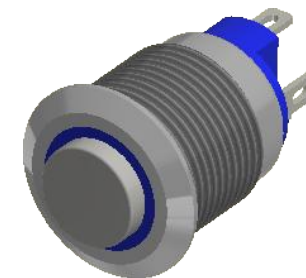
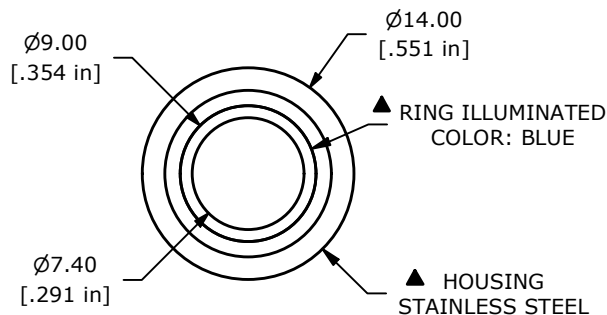
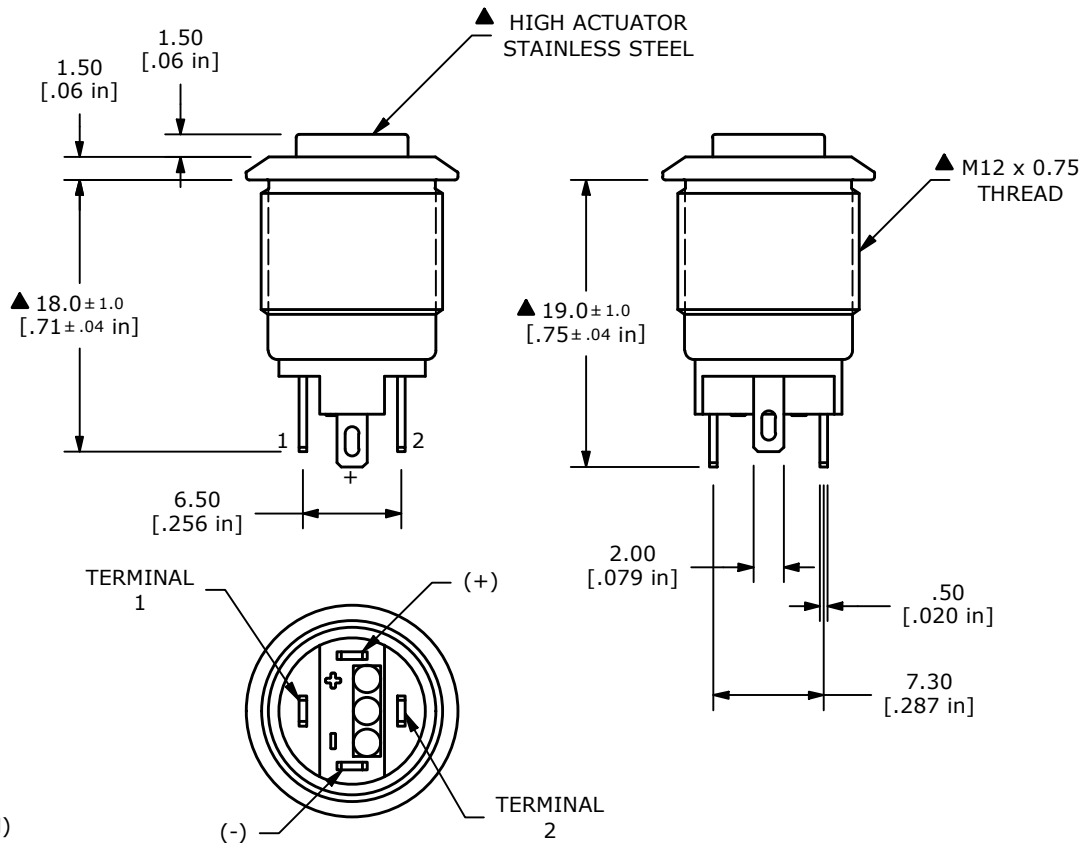
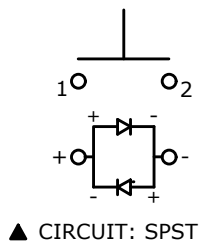


RECOMMENDED
PANEL CUT-OUT
1-6mm THICKNESS



SWITCH FUNCTION	
POS. 1	POS. 2
OFF	(ON)
OPEN	1-2

(ON) = MOMENTARY



- NOTE:
- ALL DIMENSIONS IN MM [INCH]
 - GENERAL TOLERANCE: X.X = ± 0.4
X.XX = ± 0.25
 - TERMINAL NOS. FOR REF. ONLY
 - RATING: 2A @ 36VDC
 - CONTACT RESISTANCE: 50mΩ MAX. @ 1A 12VDC
 - INSULATION RESISTANCE: 1,000MΩ @ 500VDC
 - DIELECTRIC STRENGTH: 2,000VAC MIN. FOR 1 MINUTE
 - ELECTRICAL LIFE: 200,000 CYCLES
 - CONTACT MATERIAL: SILVER
 - OPERATING TEMPERATURE: -20°C TO 55°C
 - INGRESS PROTECTION: IP65
 - LED VOLTAGE: BASE VOLTAGE 2.8V TYP.
 - ▲ DENOTES CRITICAL PARAMETER
 - HARDWARE INCLUDED: HEX NUT AND O-RING (NOT SHOWN)

E	24581	HOUSING UPDATE	11/9/20	JM
D	23192	UPDATED THREAD FROM ..0.5 TO ..0.75	1/29/18	MJR
C	22865	UPDATED RATING TO 2A @ 36VDC	5/26/17	MJR
REV	PCR NO	DESCRIPTION	DATE	BY



TITLE PV0H240SS-341				
SCALE	DATE	DR	DWG	REV
2:1	2/18/2016	RC	52-PV0H240SS341	E